

CHECK MASTER*

The simply better non-return valve. Over 4000 Check Masters Sold!



The Check Master is wholly designed and manufactured in Australia. Its features include:

Now into its second decade of successful use, the Check Master valve is the simple and economical non-return valve which was designed specifically for use in **aggressive, corrosive and highly abrasive environments**.

Since release, the Check Master has been embraced by industry for many uses other than those for which it was originally designed. Some of these other uses include **sewage, fine particles and powders, gases and vapour recovery, potable water, irrigation, and others**.

The Check Master valve can be **installed horizontally or vertically** and features a spool design with a **short face-to-face dimension**. The valve nips between pipe flanges. It is suitable for use with pressures up to 1400kpa (50mm to 250mm) @ 20°C, and 1000kpa (300mm to 500mm) @ 20°C. Specific working pressure requirements can be accommodated, please ask.

- Solid HDPE body with an elastomeric sealing element ensures **high abrasion and corrosion resistance**. In sizes up to 200mm, the sealing element is moulded around a stainless steel insert. In sizes over 200mm the sealing element is bolted to the stainless steel flap.
- The single, large flow opening provides **efficient, obstruction-free, non-clogging operation** combined **with low friction loss**.
- **Positive return action** and **drop tight sealing** for long term reliability.
- **Lightweight design** for easy handling and installation.
- Only **one moving part** for **minimised wear**.
- **Patented design and elastomeric hinge** means that **no spring is required**.
- Availability in **50mm through to 500mm sizes** means that Check Master offers an effective choice of sizes allowing specification into most applications.
- In many instances, Check Master valves can be used in the place of valves made from much more expensive and exotic materials.
- Re-configured and custom versions such as alternative materials of construction and foot-valves are routinely made. Contact your supplier regarding options.

Materials of construction:

- Polyethylene. (UV stabilised)
- Stainless Steel. (SAF and 316)
- Natural rubber.

The Check master valve is ideally suited for use in:

- Mining (gold, coal, aluminium, copper, iron ore, base metals etc.).
- Mineral processing (refining, electro winning, electro-refining).
- Potable water pipelines.
- Irrigation.
- Sewage pipelines and treatment.
- Power Stations.
- Chemicals.
- Petro-chemicals.
- Cement production.

Distributed by :

GFR warranty: "The manufacturer (GFR) guarantees its valves for any defects in materials or manufacture for a period of one year from the original date of purchase, as long as the valves have been used under normal operating conditions. GFR's liability under this warranty is limited to the replacement or repair of the defective valve. GFR does not accept any consequential damages deriving from defects in the valves covered by this warranty. To the fullest extent the law permits, the warranty supersedes and voids all other warranties, whether expressed or implied (regardless of whether by agreement, conduct, statute or otherwise), including, without limitation, that of merchantability and fitness for particular purposes. No employee, representative or agent of GFR is authorised to void, alter or add to the conditions contained in this warranty, nor to take responsibility for, nor make guarantees not specified herein."

Manufactured by :

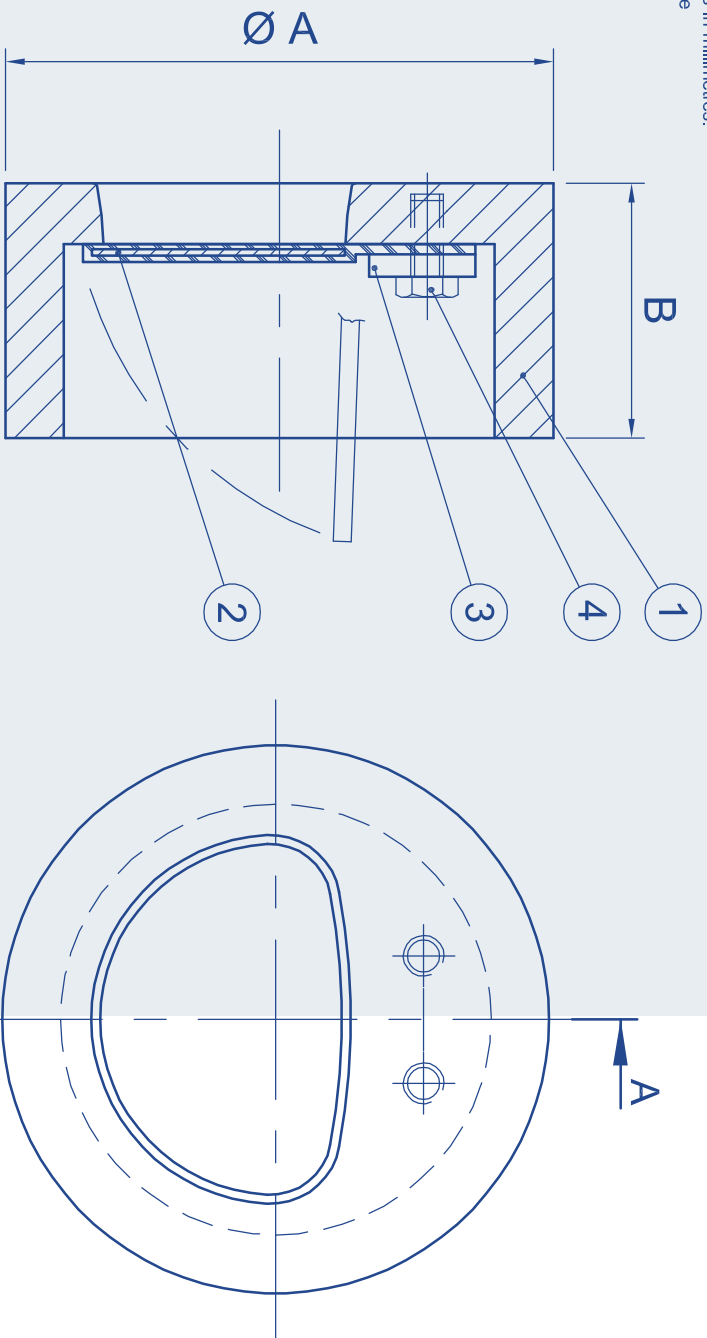
GFR Industries, 8 Artello Bay Road, Midvale, Western Australia 6056

Phone: (08) 9250 2944, Facsimile: (08) 9250 2945, Freecall: 1800 199 176

Email: sales@gfr.com.au, Website: www.gfr.com.au

CHECK MASTER

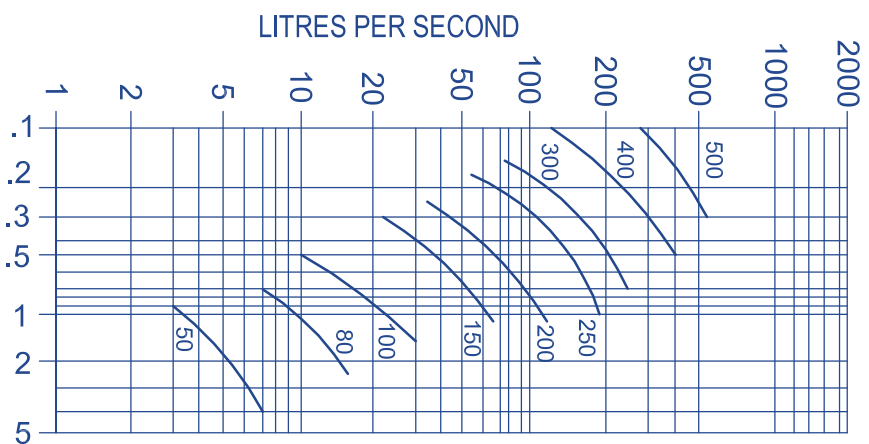
Dimensions in millimetres.
Do not scale



VALVE SIZE NB	DIMENSIONS - mm									
	50	80	100	150	200	250	300	350	400	500
A	98	130	162	215	272	334	380	445	495	615
B	40	55	75	100	135	166	197	225	250	310
MASS (kg)	0.25	0.6	1.2	2.3	4.6	8.2	11.5	15.8	22.0	38.8

FRONT VIEW

SECTION A-A



ITEM	DESCRIPTION/MATERIAL	QTY
4	FIXING SCREWS 316 SS	2
3	RETAINER UHMWPE	1
2	VALVE MEMBER NATURAL RUBBER/SS	1
1	BODY MDPE	1

CHECK MASTER VALVE ARRANGEMENT

PROJECT, SALES/REF. No.

DRAWING No.

GFR-CM-004

REV 0

COPYRIGHT ©

This drawing remains the property of GFR Industries and may not be copied in any way without prior written approval from this company.



Bwanolar Pty Ltd A.B.N. 53 008 990 636
8 Artello Bay Road, Midvale, WA 6056
TEL: (08) 9250 2944 / 1-800-199-176
FAX: (08) 9250 2945
e-mail: sales@gfr.com.au